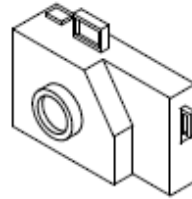


The Elevation and End Elevation of a small camera are given.

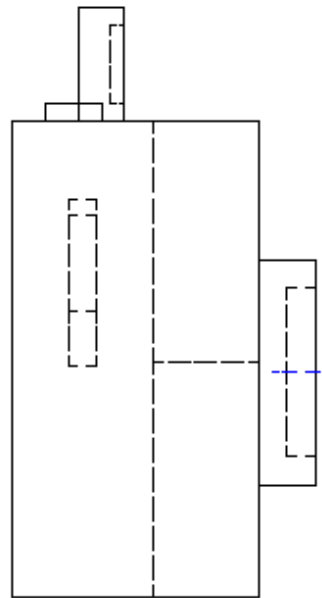


On A4 paper, and in the correct proportion, **sketch**:

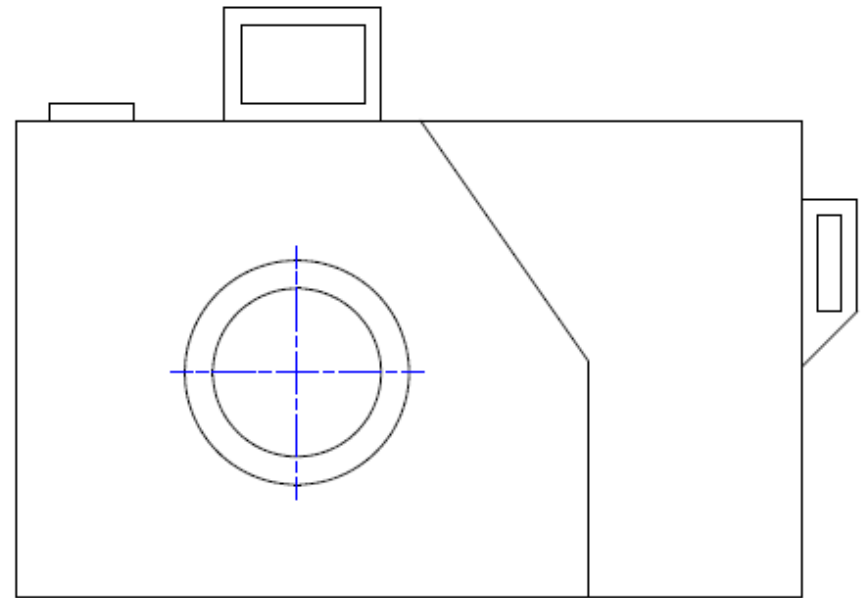
1. The Elevation, End Elevation and Plan of the camera.
Show all hidden detail.



Plan



End Elevation



Elevation



Knox Academy
Nat 4/5 Graphic Communication
Exercise

