



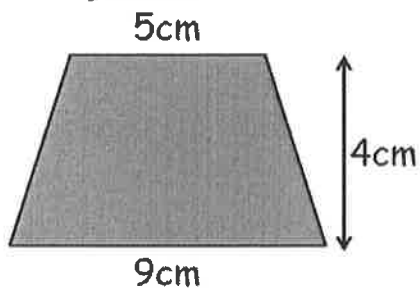
4 Question Challenge on...

Area of a Trapezium

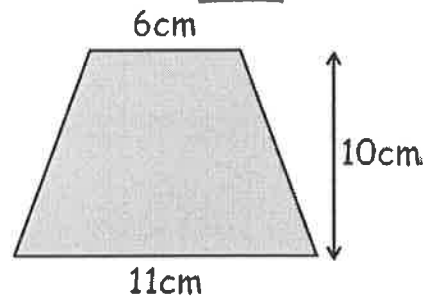
Calculate the area of each of the following shapes.

$$A = \frac{1}{2}(5+9) \times 4$$
$$= \underline{\underline{28 \text{ cm}^2}}$$

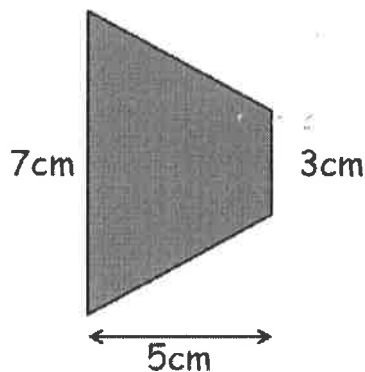
Q1



Q2

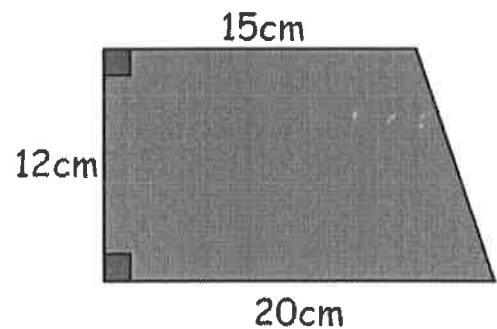


Q3



$$A = \frac{1}{2}(7+3) \times 5$$
$$= \underline{\underline{25 \text{ cm}^2}}$$

Q4



$$A = \frac{1}{2}(15+20) \times 12$$
$$= \underline{\underline{210 \text{ cm}^2}}$$